

HardyRib & EconoRib Trims

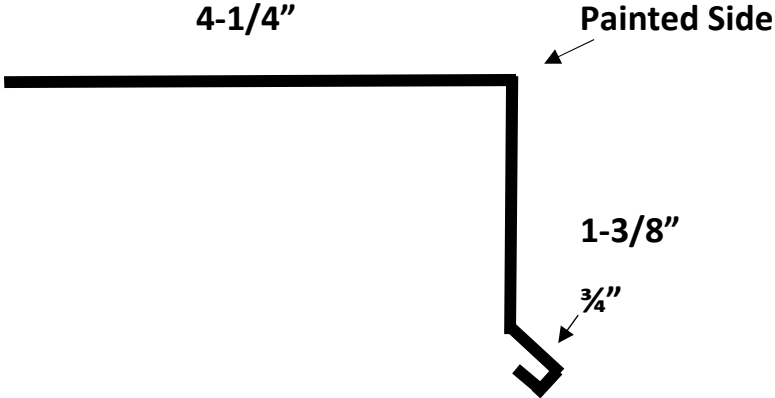
We can also bend custom trims.

Tolerance of 1/8" plus or minus on ALL TRIMS.

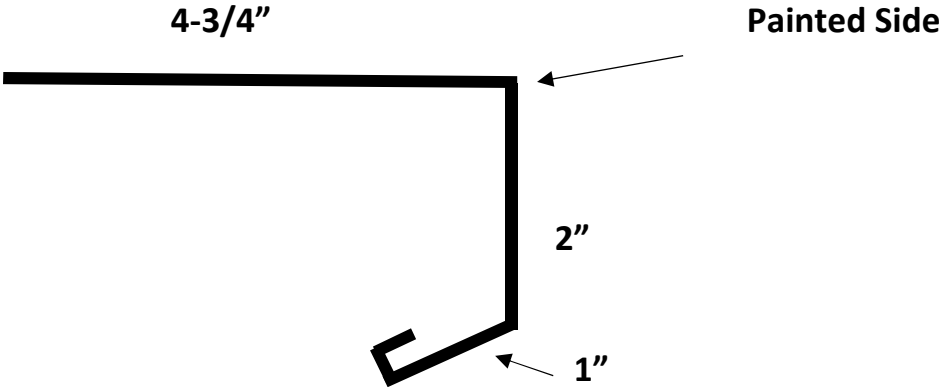
All trims made 10ft 2in, unless otherwise noted.

Hardy Rib Trims

New Construction Drip Edge 10'



1x3 Drip Edge 10'

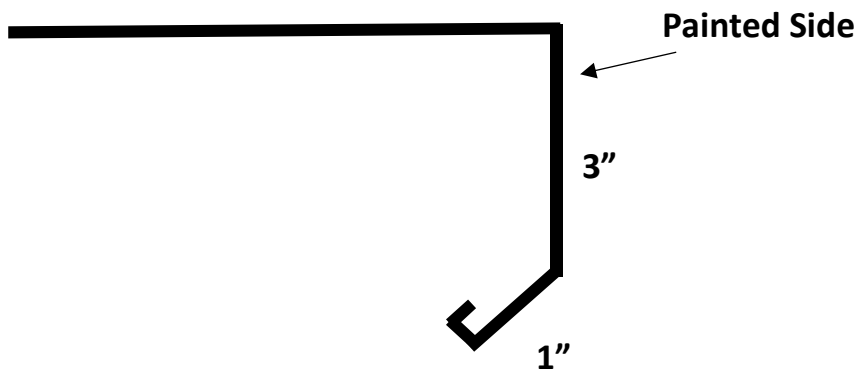


Hardy Rib trims

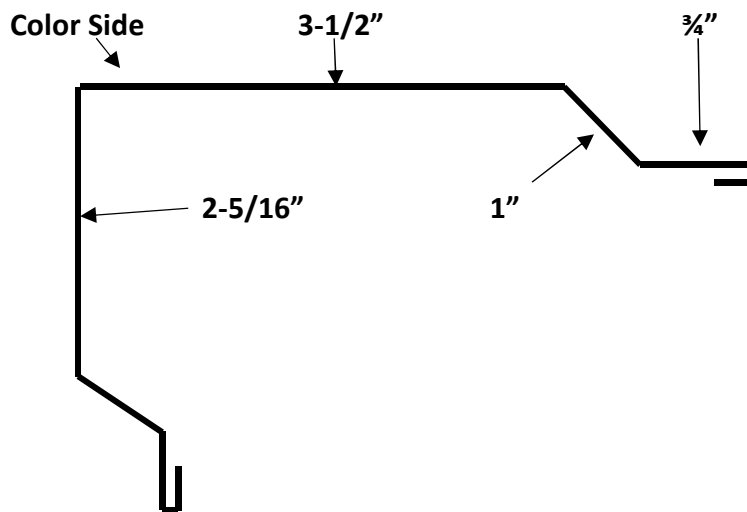
2x4 Drip Edge 10'

Special Order Non-Returnable

4-3/4"



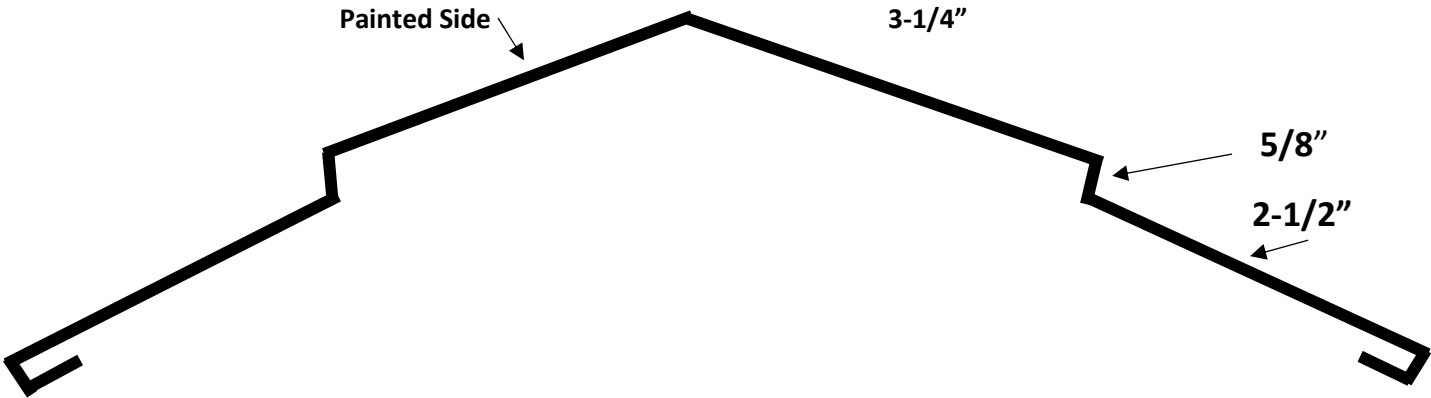
Residential Corner 10' or 12'



Hardy Rib Trims

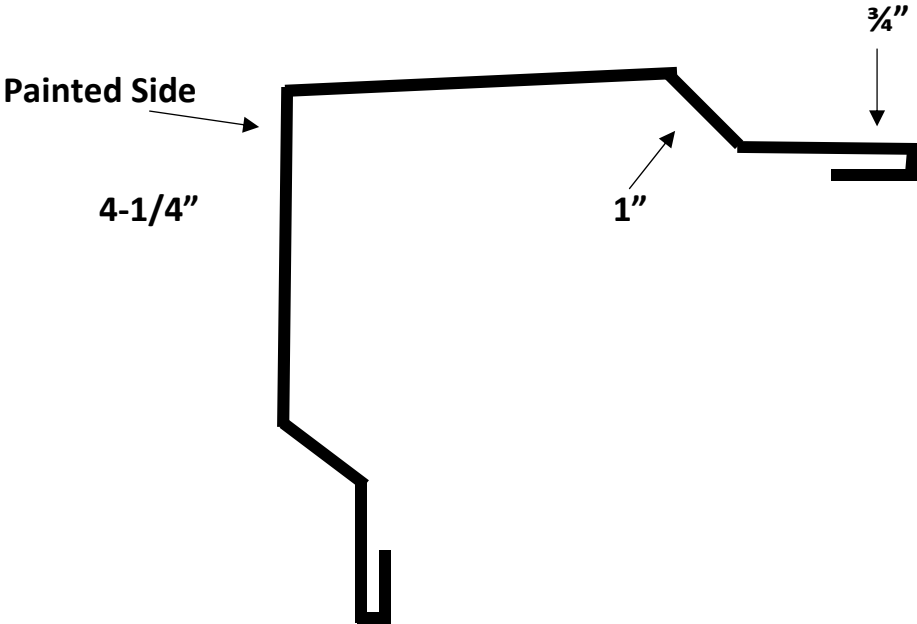
Ridge Cap

10' or 12' Lengths



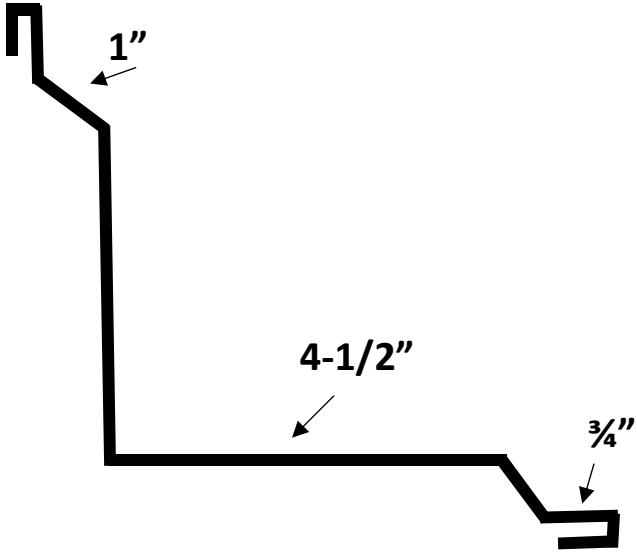
Corner/Gable Trim

10' in-stock, Also available 12', 14', 16', & 18'

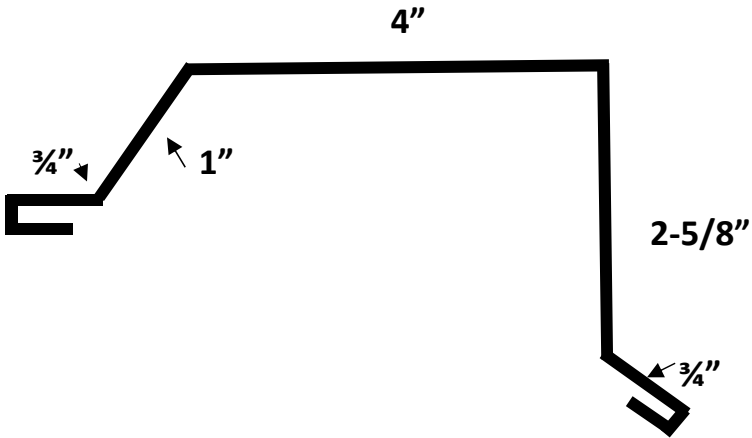


Hardy Rib Trims

Inside Corner 10' Non-Returnable

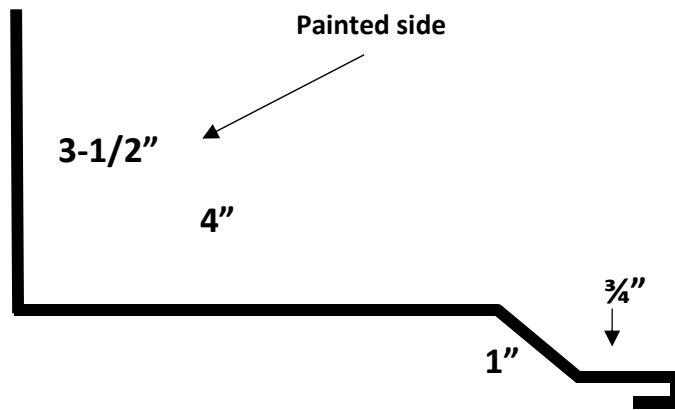


Residential Rake 10' Non-Returnable

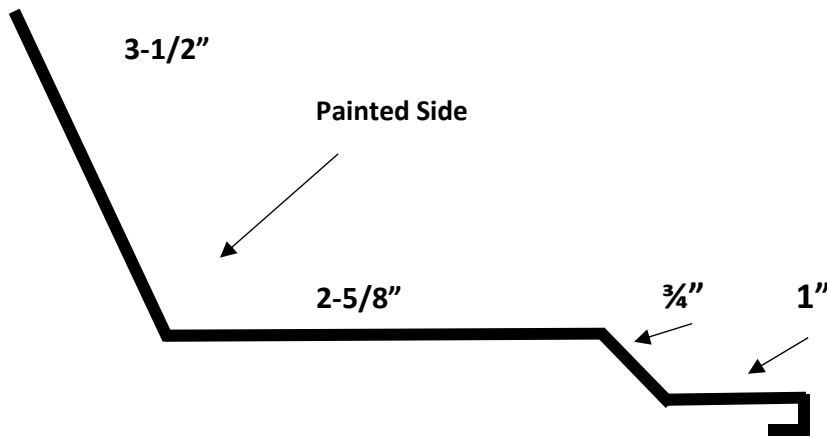


Hardy Rib Trims

Side Wall 10'

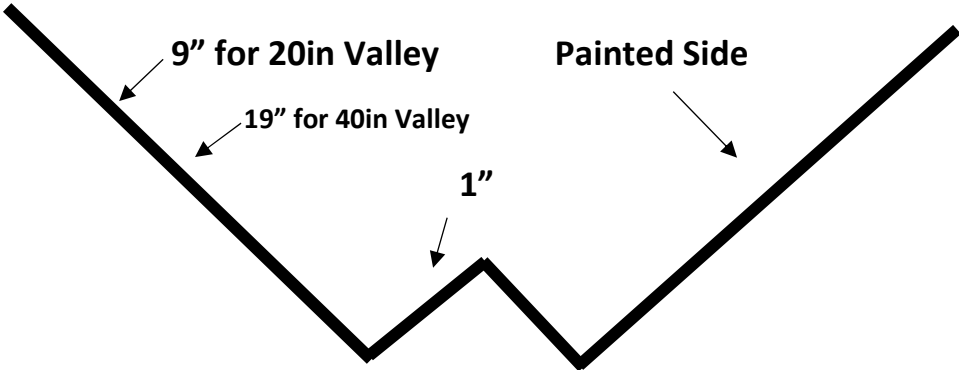


End/Head Wall 10'

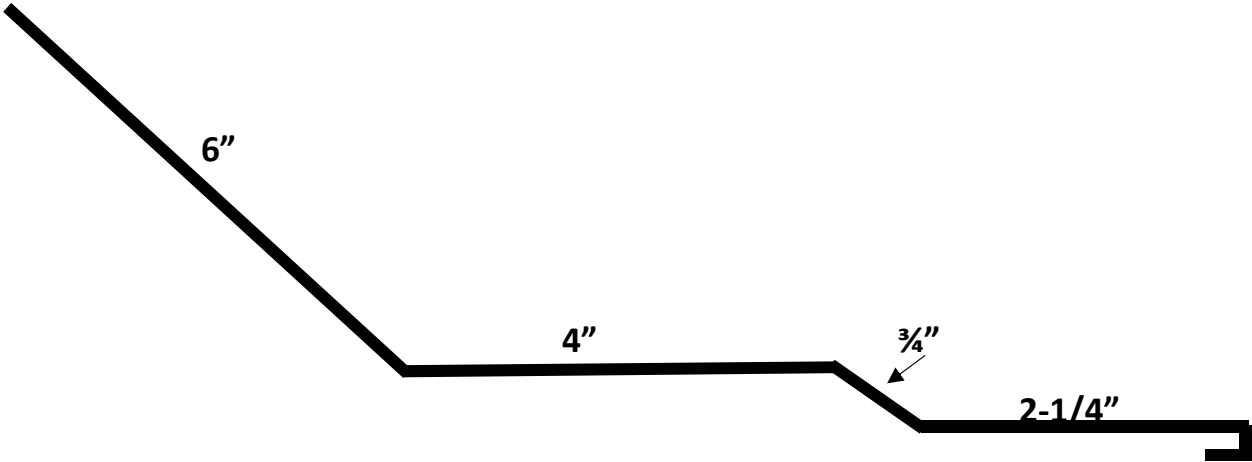


Hardy Rib Trims

Valley Pan 10' Non-Returnable

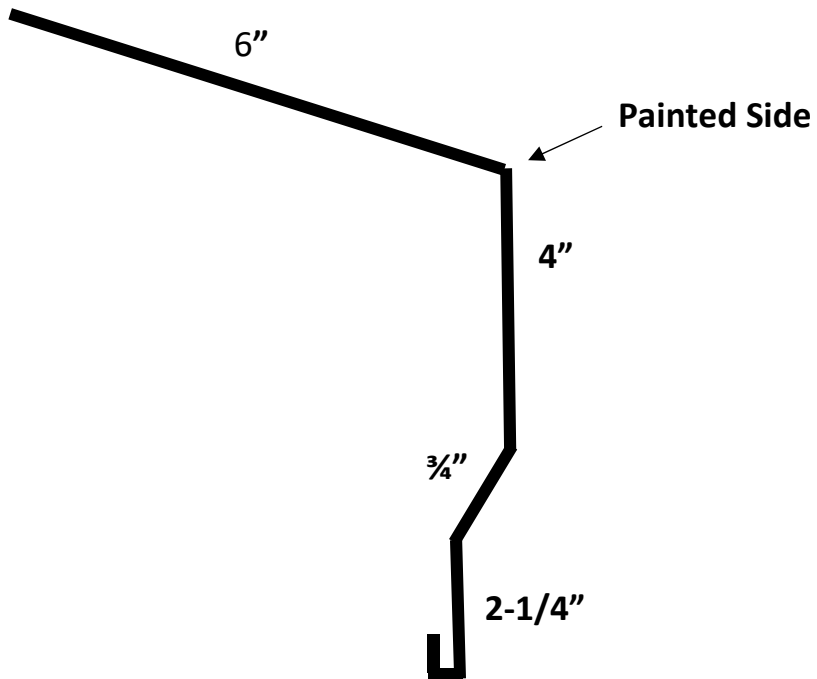


Inside Transition 10' Non-Returnable

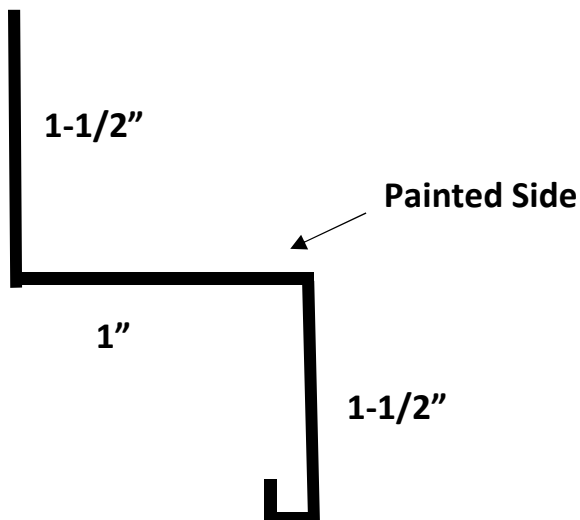


Hardy Rib Trims

Outside Transition 10' Non-Returnable

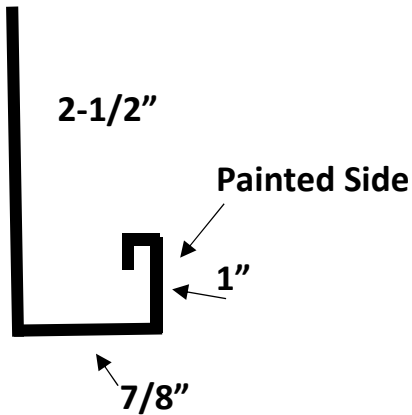


Z Bar 10' Non-Returnable

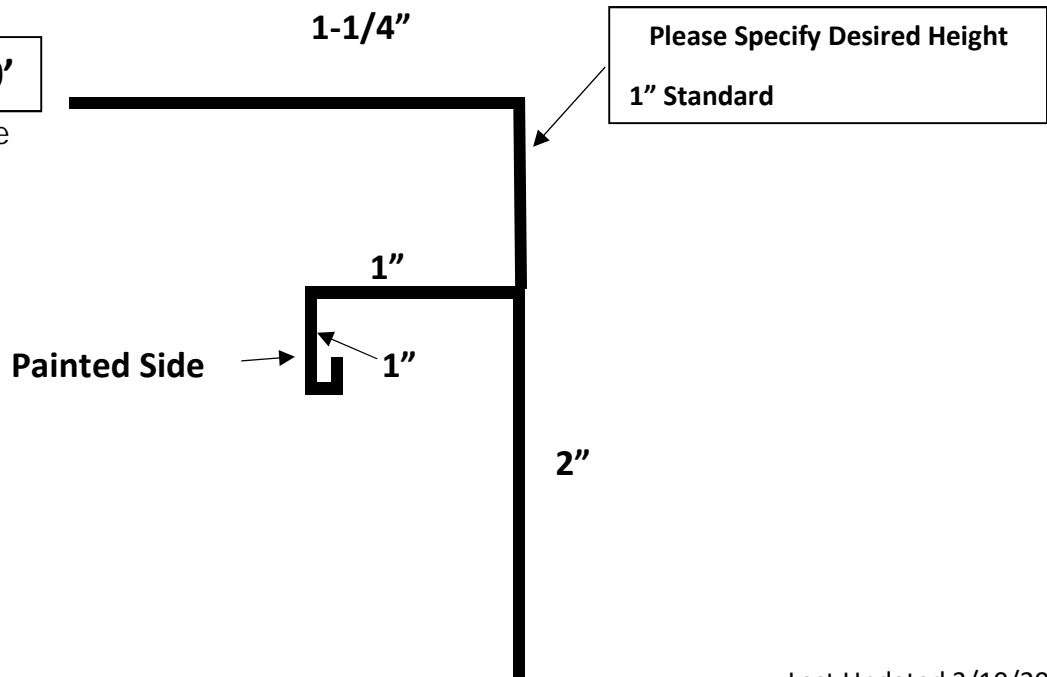


Hardy Rib Trims

J Channel 10'

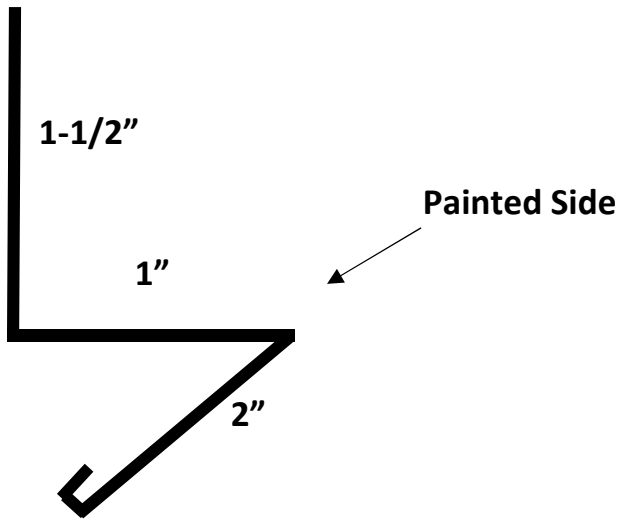


FJ Channel 10'
Non-Returnable

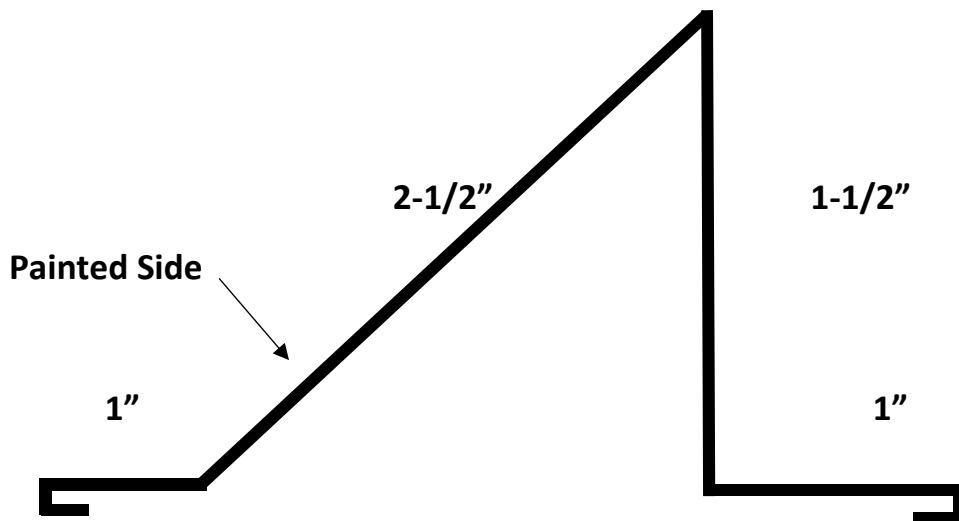


Hardy Rib Trims

Rat Guard 10' Non-Returnable



Snow Guard 10'

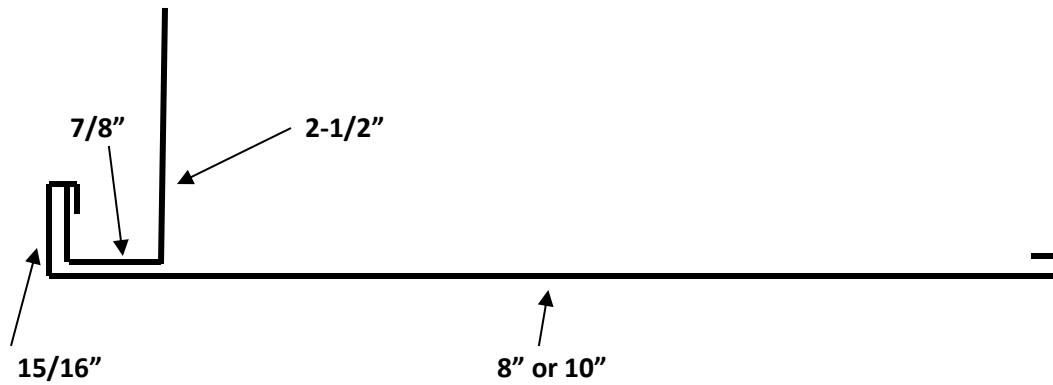


Hardy Rib Trims

Overhead Door Trim

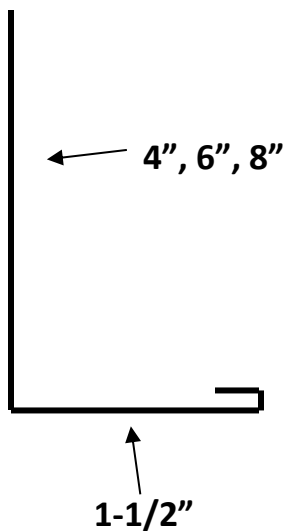
NON-RETURNABLE

Available Lengths: 10 foot



Fascia

Non-Returnable



K-Style Steel Gutter

Non-Returnable

